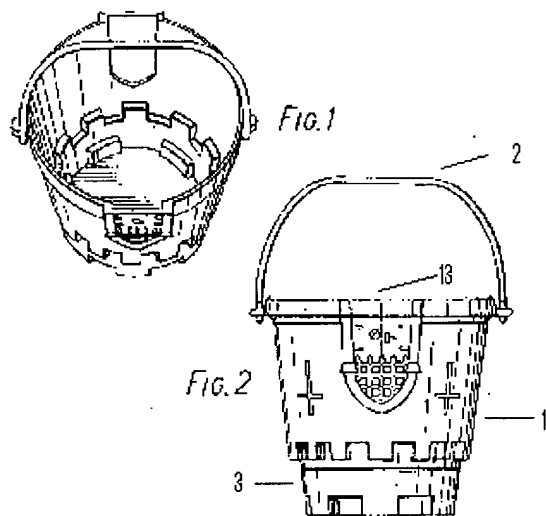


Appl.No. XX/YYY,YYY
Amdt. Dated Jan. 15, 2004
Reply to Office action of Oct. 16, 2003
Replacement Sheet



Appl.No. XX/YYY,YYY
Amdt. Dated Jan. 15, 2004
Reply to Office action of Oct. 16, 2003
Annotated Sheet Showing Changes

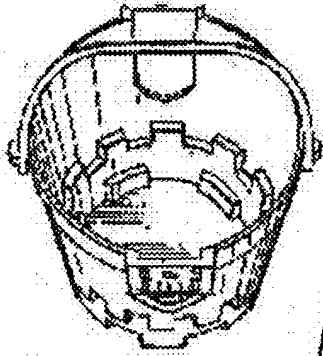


FIG. 1

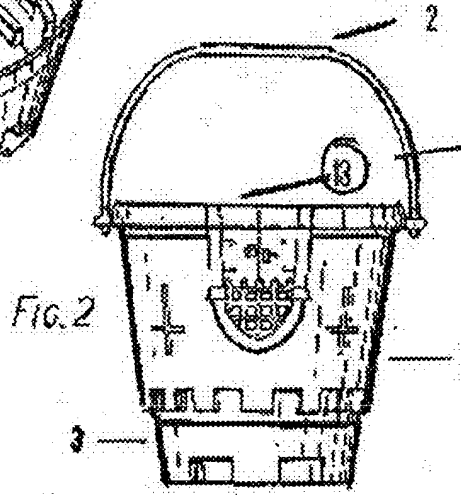


FIG. 2

Element 13
added